

The save path:

A

B

C

A

5

4

3

2

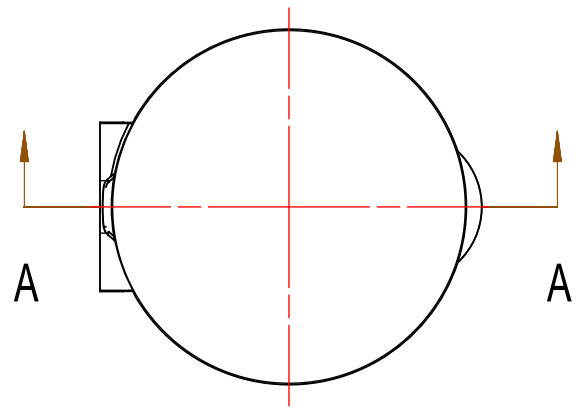
1

Modify date

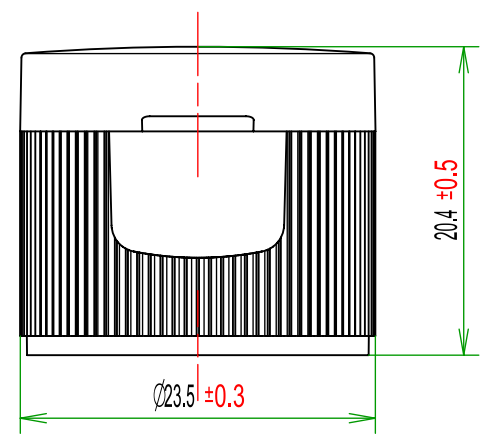
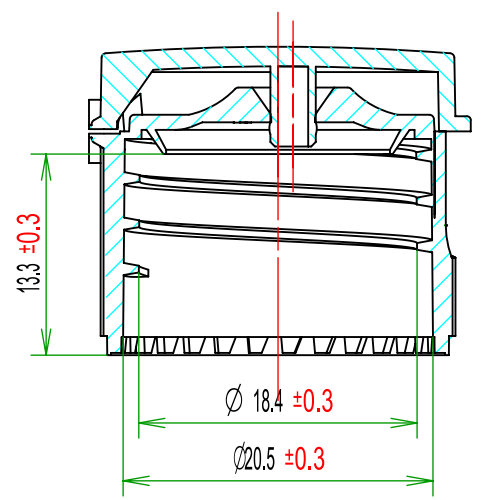
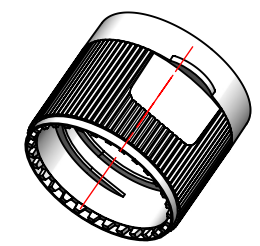
Modify Content

Version

Modify people



SECTION A-A



PART DESCRIPTION		20/410 cap	
Material	PP	Scale	2:1

5

4

3

2

1

A 4